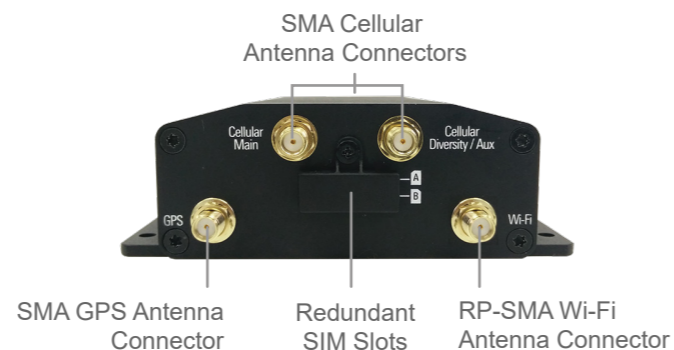
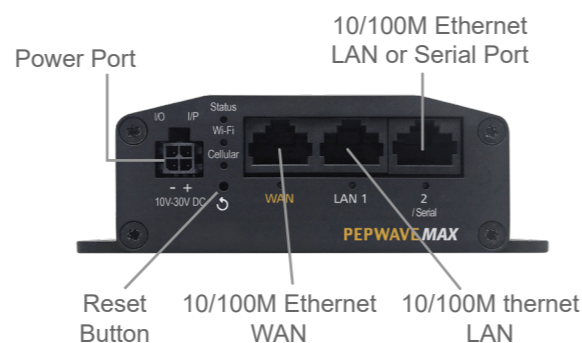


## Specifications

MAX BR1 Classic	
Cellular WAN Interfaces	Single LTE Modem
Redundant SIM Slot	●
SpeedFusion Hot Failover	●
WAN Interface	1x 10/100M Ethernet Port
LAN Interface	2x 10/100M Ethernet Port (1x Serial Port shared with LAN Interface)
Load Balancing/Failover	●
Stateful Firewall Throughput	100Mbps
ContentHub Storage	8 GB
Recommended Users	60
Downlink/Uplink Datarate	150Mbps/50Mbps (LTE Modem) 300Mbps/50Mbps (LTE-A Modem)
Wi-Fi Standard	802.11b/g/n Wi-Fi WAN or AP
Antenna Connectors	2x SMA Cellular, 1x SMA GPS, 1x RP-SMA Wi-Fi
Power Input	Device: 10V – 30V DC AC Adapter: AC Input 100V – 240V / DC Output 12V Passive PoE Input (WAN Port, 10V – 30V DC)
Power Consumption	12W (max.)
Dimensions	4.1 x 4.3 x 1.2 inches 105 x 110 x 30 mm
Weight	0.54 pound / 244 grams
Operating Temperature	-40° – 149°F / -40° – 65°C
Humidity	15% – 95% (non-condensing)
Warranty	1-Year Limited Warranty
Certifications	FCC, CE, RoHS, IC EN 61373 IEC 61373: Shock and Vibration Resistance ^ EN 50155: Railway Applications ^ EN 61000: Electromagnetic Compatibility ^

^ Certifications pending.



# MAX BR1 Classic

## Affordable Ruggedized LTE Router



## Industrial Grade

The BR1 Classic comes with a rugged metal enclosure, and a wide range of certifications at an affordable price:

- Shock and Vibration Resistance (EN 61373:1999, IEC 61373:1999) ^
- Railway Applications (EN 50155) ^
- Electromagnetic Compatibility (EN 61000) ^

^ Certifications pending.



## Set and Forget

Set up your BR1 Classic in minutes, and then let it connect your network for years without worry. The current uptime record for a Peplink device is 1,252 days and counting.

Years after installation, this previous generation BR1 is still going strong.

## Ordering Information

	Product Code	Carrier/Region	Cellular Standard	4G Bands	3G Bands
LTEA	MAX-BR1-LTEA-W-T	Worldwide	LTE Advanced	B1, B2, B3, B4, B5, B7, B8, B12, B13, B20, B25, B26, B29, B30, B41	WCDMA/HSPA+/DC-HSPA+: B1, B2, B3, B4, B5, B8
LTE	MAX-BR1-LTE-E-T	Europe/International	LTE	B1, B3, B5, B7, B8, B20, B38 (TDD), B40(TDD), B41 (TDD)	WCDMA/HSPA+/DC-HSPA+: B1, B5, B8

## Add-on Features

Product Code	Description
MAX-BR1-ADV	Advanced Feature Package includes a software license key for X.509 Certificate Support (SpeedFusion and IPsec)
PVN-LC-05	PepVPN License Key, enables up to 5 PepVPN connections
MAX-LC-DIM	Activate the Drop-in Mode for the MAX BR1 Series

## Versatile

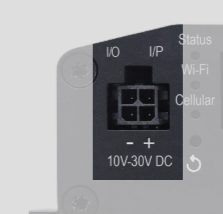
The BR1 Classic is equipped with a wide array of features, so it can take on any deployment:



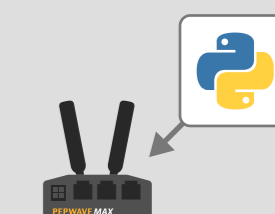
GPS Fleet Tracking



Custom Captive Portal



GPIO Terminal Block



Supports Python