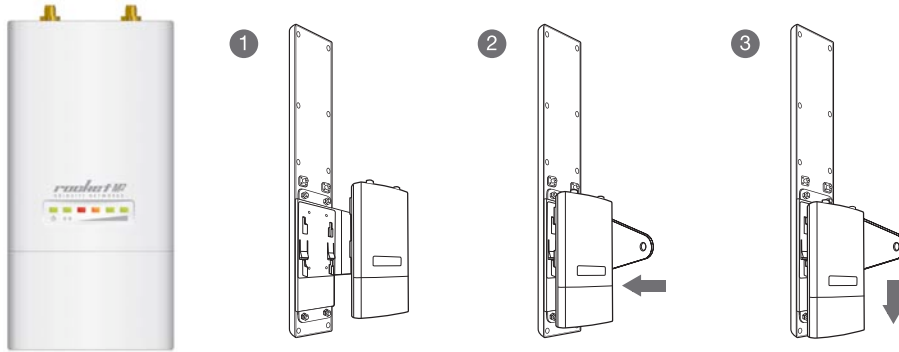


ROCKET M5: 5GHz Hi Power 2x2 MIMO AirMax TDMA BaseStation



airMAX
MIMO TDMA Protocol

COMPATIBLE ANTENNAS

AirMax Sector 5G-17-90
AirMax Sector 5G-16-120
AirMax Sector 5G-20-90
AirMax Sector 5G-19-120
Rocket Dish 5G-30

SYSTEM INFORMATION

Processor Specs	Atheros MIPS 24KC, 400MHZ
Memory Information	64MB SDRAM, 8MB Flash
Networking Interface	1 X 10/100 BASE-TX (Cat. 5, RJ-45) Ethernet Interface

REGULATORY / COMPLIANCE INFORMATION

Wireless Approvals	FCC Part 15.247, IC RS210, CE
RoHS Compliance	YES

OPERATING FREQUENCY 5745MHZ-5825MHZ

5GHz TX SPECIFICATIONS				5GHz RX SPECIFICATIONS			
	DataRate	Avg. TX	Tolerance		DataRate	Sensitivity	Tolerance
11a	1-24Mbps	27 dBm	+/-2dB	11a	24Mbps	-83 dBm	+/-2dB
	36Mbps	25 dBm	+/-2dB		36Mbps	-80 dBm	+/-2dB
	48Mbps	23 dBm	+/-2dB		48Mbps	-77 dBm	+/-2dB
	54Mbps	22 dBm	+/-2dB		54Mbps	-75 dBm	+/-2dB
5GHz 11n	MCS0	27 dBm	+/-2dB	5GHz 11n	MCS0	-96 dBm	+/-2dB
	MCS1	27 dBm	+/-2dB		MCS1	-95 dBm	+/-2dB
	MCS2	27 dBm	+/-2dB		MCS2	-92 dBm	+/-2dB
	MCS3	27 dBm	+/-2dB		MCS3	-90 dBm	+/-2dB
	MCS4	26 dBm	+/-2dB		MCS4	-86 dBm	+/-2dB
	MCS5	24 dBm	+/-2dB		MCS5	-83 dBm	+/-2dB
	MCS6	22 dBm	+/-2dB		MCS6	-77 dBm	+/-2dB
	MCS7	21 dBm	+/-2dB		MCS7	-74 dBm	+/-2dB
	MCS8	27 dBm	+/-2dB		MCS8	-95 dBm	+/-2dB
	MCS9	27 dBm	+/-2dB		MCS9	-93 dBm	+/-2dB
	MCS10	27 dBm	+/-2dB		MCS10	-90 dBm	+/-2dB
	MCS11	27 dBm	+/-2dB		MCS11	-87 dBm	+/-2dB
	MCS12	26 dBm	+/-2dB		MCS12	-84 dBm	+/-2dB
	MCS13	24 dBm	+/-2dB		MCS13	-79 dBm	+/-2dB
	MCS14	22 dBm	+/-2dB		MCS14	-78 dBm	+/-2dB
MCS15	21 dBm	+/-2dB	MCS15	-75 dBm	+/-2dB		

PHYSICAL / ELECTRICAL / ENVIRONMENTAL

Enclosure Size	16cm length x 8cm width x 3cm height
Weight	0.5 kg
RF Connector	2x RPSMA (Waterproof)
Enclosure Characteristics	Outdoor UV Stabilized Plastic
Mounting Kit	Pole Mounting Kit included
Max Power Consumption	8 Watts
Power Supply	24V, 1A POE Supply Included
Power Method	Passive Power over Ethernet (pairs 4,5+; 7,8 return)
Operating Temperature	-30C to 75C
Operating Humidity	5 to 95% Condensing
Shock and Vibration	ETSI300-019-1.4